



LANDSCAPE PRODUCTS

www.brickstopedge.com
1-800-565-2599



MISSION STATEMENT

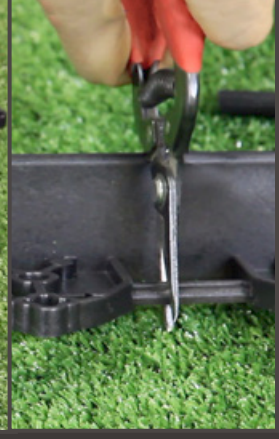
At Brickstop Corporation our goal is to manufacture, distribute and supply our dealer network with the finest quality Paver Edgings and Landscape Accessories, serving the professional landscape contractors' specific needs and requirements.

We strive to provide the best tools possible so you can do the best job possible!

Our customers' needs are our priority. If you can't find a product you require, we are happy to source it for you. Thank you for your interest in our fine line of superior products.

We're the "good guys to deal with!"

Paver Edging: B.E.A.S.T.	02
Paver Edging: Edge-All	03
Paver Edging: Simflex Plastic	03
Paver Edging: Aluminum	04-05
Landscape Edging: Edgestar	06-07
Edgetite Spikes + Greenline	08
Shims + Marking Paints	09
Adhesives	10-11
Drains	12
Paver Tools	13
Lifting Equipment	14-15
Montolit Block + Paver Cutters	16
Geogrid + Tarps	17
Hand Tools	18-20
LEDeze Lighting	21
Outdoor Lighting Products	22-23
Transformers and LED Controllers	24
Lighting Accessories	25



B.E.A.S.T. PLASTER PAVER EDGING #350

Over twenty-nine years of experience and millions of feet of paver installations have gone into the development of the B.E.A.S.T.

**NORTH AMERICA'S
#1 BEST SELLING
PAVER EDGING**

B.E.A.S.T. #350

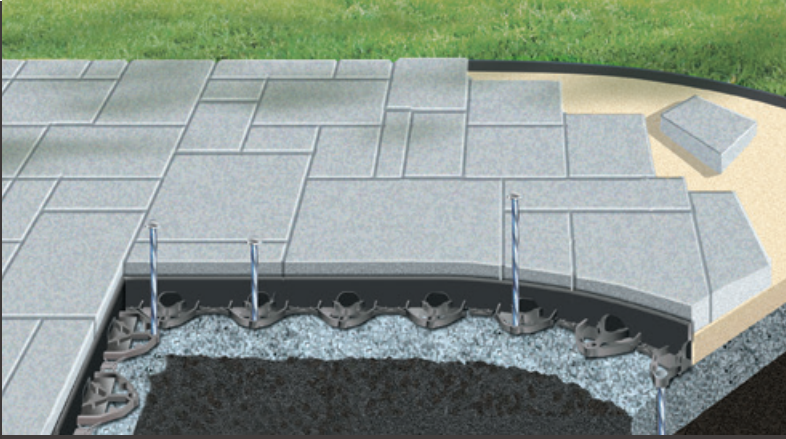
- Just one piece does both straight lines and curves
- Allows installation of pavers on either side of edging
- Staggered lattice nailing to ensure maximum hold
- Extra wide base for increased stability
- Easy to install with 10" or 12" nails
- Allows natural vegetation growth
- 100% recycled plastic

Wall: 1.75"
Foot: 3"
Width: 2.5"
Available in 8 ft lengths



Spiral spikes #400
Sold in individual 50lb. boxes or by the pallet (50 cases)
10" Bright Steel Spiral: approx. 235 pcs.





EDGE-ALL #370

- Ideal for thin pavers, wetcast stone, and flagstones
- Super strength
- Super flexibility
- Amazing straight lines
- Perfect curves

EDGE-ALL LOW PROFILE PAVER EDGING #370



Wall: 1.5"

Foot: 2.25"

Available in convenient
6 ft lengths



Spiral spikes #400

Sold in individual 50lb. boxes or
by the pallet (50 cases)

10" Bright Steel Spiral: approx.
235 pcs.



SIMFLEX #250

- Installs easily
- Requires no cutting for curves; suitable for both straight and radius installations
- Ideal for driveways, walkways and patios
- Thick profile manufactured from recycled PVC

SIMFLEX PLASTIC PAVER EDGING #250

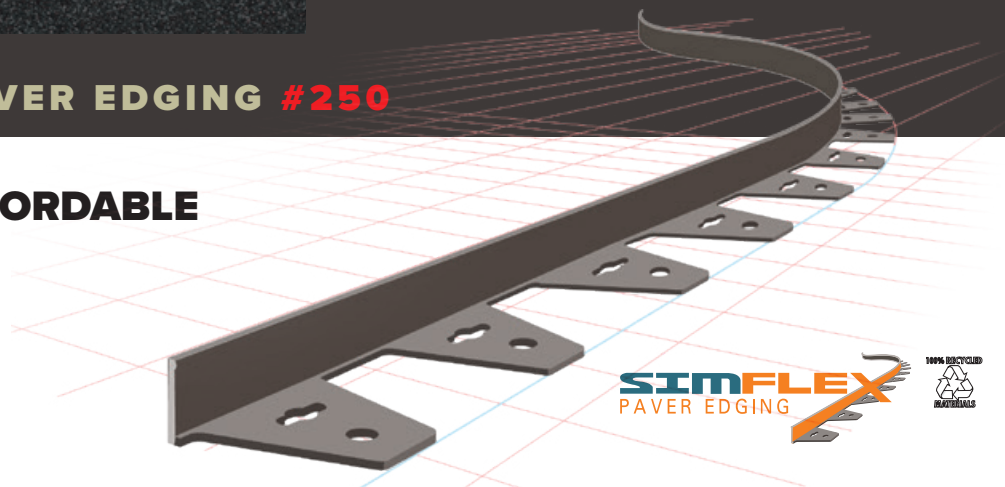
SIMPLE, FLEXIBLE, AFFORDABLE

Wall: 1.625"

Foot: 2.75"

Thickness: 0.31"

Convenient 7'6" sections





ALUMINUM PAVER EDGING #150

Brickstop Advantages:

THE ORIGINAL L-SHAPED PAVER EDGING

Because your reputation is at stake.

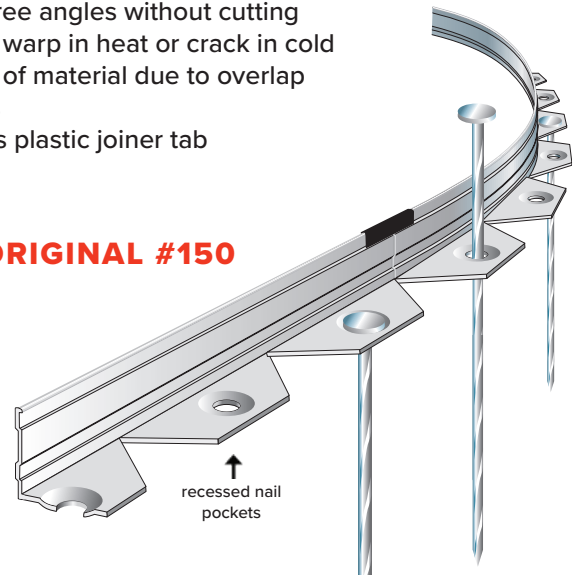
BrickStop Aluminum Edging bends to your needs no matter how complex your interlocking brick and paving stone design. Made of aluminum, it's strong enough for straight lines, yet flexible enough to follow the most intricate curved patterns, with optional installation of pavers on either side of the edging.

BrickStop Aluminum Edging prevents the shifting and movement of pavers that could turn your project into an eyesore. BrickStop comes through with a patented design that lets you form 90 degree angles without cutting. Its quick "either side" installation helps bring labour costs down and creates the long lasting results that will keep customer referrals coming year after year.

- Convenient 8'4" lengths
- Made of non-rusting recycled aluminum
- Allows installation of pavers on either side of edging
- Completely hidden from view
- One piece for straight or curved patterns
- 90 degree angles without cutting
- Will not warp in heat or crack in cold
- No loss of material due to overlap at joints
- Includes plastic joiner tab



ORIGINAL #150



Spiral spikes #400

Sold in individual 50lb. boxes or by the pallet (50 cases)

10" Bright Steel Spiral: approx. 235 pcs.

Length: 8'4" (2.54m)

Height: 1.5" (35mm)

Thickness: 0.125" (3.2mm)

Flange: 1.5" x 4" (35mm x 102mm)

Alloy: 6063 aluminum

T-5 hardness

US Patent

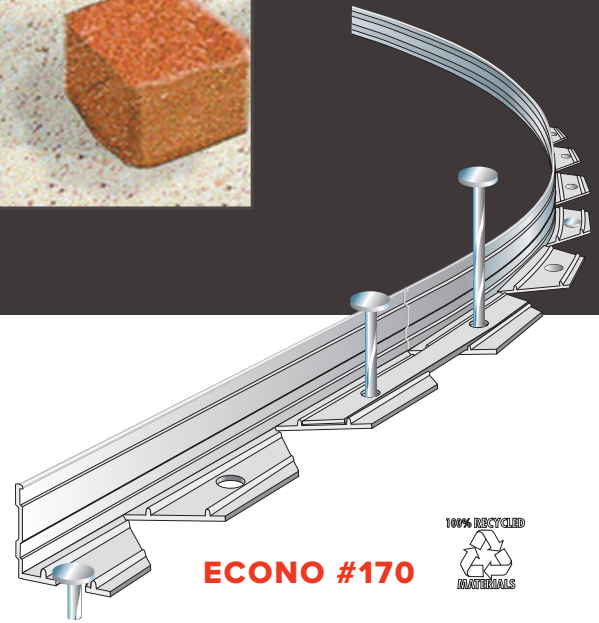


ALUMINUM PAVER EDGING #170

#170 - THE ECONOMY L-SHAPED PAVER EDGING

An economical option to our original #150 Paver Edging, with all the same attributes that aluminum paver edging offers.

Length: 8'4" (2.54m)
Height: 1.5" (35mm)
Thickness: 0.105" (2.67mm)
Flange: 1.45" x 4" (34mm x 102mm)
Alloy 6063 Aluminum
t-5 Hardness



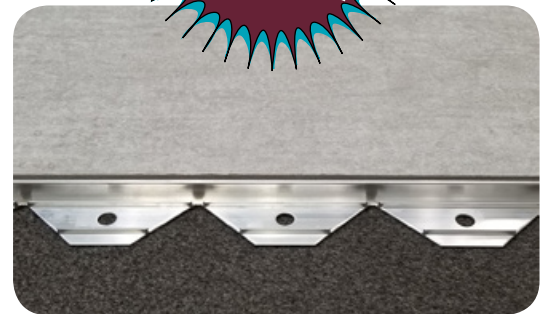
LOW PROFILE ALUMINUM EDGING #120

Brickstop's Lowest Profile Aluminum Edging is ideal for use with 20mm porcelain pavers, flagstone, wetcast shapes and bluestone. Our aluminum edging bends to your needs no matter how complex your design requirements. Made of aluminum, it's strong enough for straight lines, yet flexible enough to follow the most intricate curved patterns.

LOW-PROFILE ALUMINUM EDGING #120

- Convenient 8' lengths
- Made of non-rusting recycled aluminum
- Completely hidden from view
- One piece for straight or curved patterns
- 90 degree angles without cutting
- Will not warp in heat or crack in cold
- No loss of material due to overlap at joints

Length: 8' (2.44m)
Height: 5/8" (17mm)
Thickness: 0.125" (3.2mm)
Flange: 1.5" x 4" (35mm x 102mm)
Alloy: 6063 aluminum
T-5 hardness
US Patent





ORIGINAL #210

Sizes: 1/8" by 4" (3.2mm by 100mm)
residential/commercial

Finishes: Mill finish; natural aluminum or
black or green anodized

Length: 8'0" (2.44M) sections – nail every
23"

Nails: 10" by 3/8" spiral steel nails (not
included)

Convenient 8' Sections

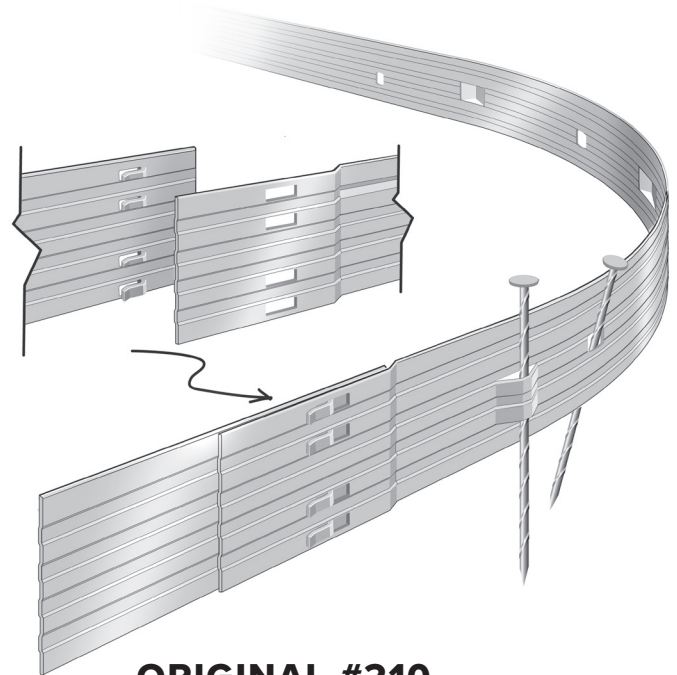
EDGESTAR LANDSCAPE EDGING #210

EDGESTAR ADVANTAGES:

- Keyhole Interlocking System: Lengths are easily and quickly connected.
- Superior Reinforcement – 8" lengths: Rigid enough to provide perfectly straight lines; flexible enough for the most demanding curves.
- No need to use heavier gauge or more costly material to maintain straight runs.
- Heavy duty 1 1/8" nail loops located every 23": allows for more frequent nailing positions, providing superior anchoring where required.
- Steel Nail Anchoring: Spiral 10" nails readily available.

EDGESTAR is produced in 1/8" thickness. Our product's design will maintain straight lines even for the heaviest commercial applications. EDGESTAR is ideally suited for use as a planting bed edging in both residential and commercial applications. Other uses include edging for walkways, jogging trails, running tracks, asphalt borders and maintenance strips.

Available in black anodized.



ORIGINAL #210 WITH SNAP-IN INTERLOCKING TABS



Spiral spikes #400

**Sold in individual 50lb. boxes or
by the pallet (50 cases)**

**10" Bright Steel Spiral: approx.
235 pcs.**

KEEPS GARDEN BEDS CLEAN AND NEAT!



ECONO #200

Sizes: 1/8" by 4" (3.2mm by 100mm)
residential/commercial

Finishes: Mill finish; natural aluminum
or black or green anodized

Length: 8'0" (2.44M) sections – nail
every 23"

Nails: 10" by 3/8" spiral steel nails (not
included)

Convenient 8' Sections

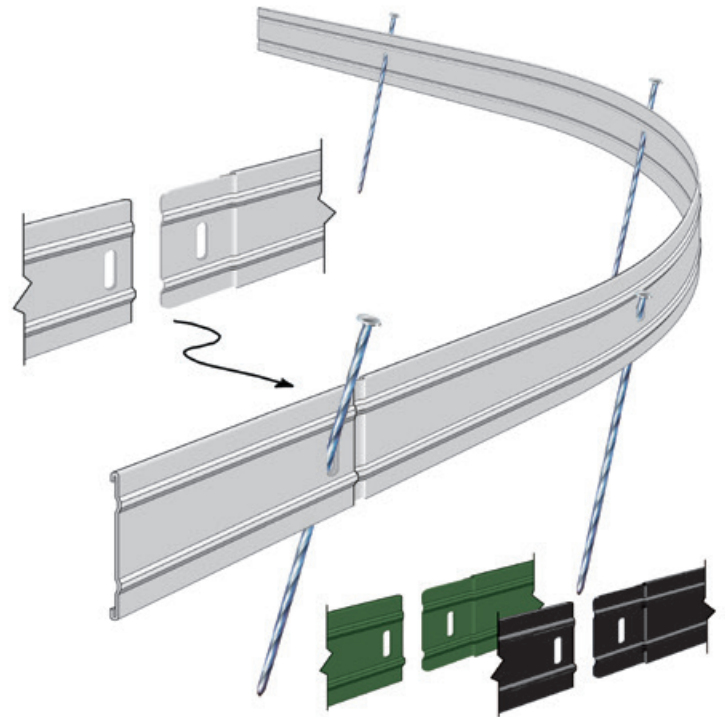
EDGESTAR LANDSCAPE EDGING #200

EDGESTAR ADVANTAGES:

- Keyhole Interlocking System: Lengths are easily and quickly connected.
- Superior Reinforcement – 8" lengths: Rigid enough to provide perfectly straight lines; flexible enough for the most demanding curves.
- No need to use heavier gauge or more costly material to maintain straight runs.
- Steel Nail Anchoring: Spiral 10" nails readily available.

EDGESTAR is produced in 1/8" thickness. Our product's design will maintain straight lines even for the heaviest commercial applications. EDGESTAR is ideally suited for use as a planting bed edging in both residential and commercial applications. Other uses include edging for walkways, jogging trails, running tracks, asphalt borders and maintenance strips.

Available in black anodized.



ECONO #200



Spiral spikes #400

**Sold in individual 50lb. boxes or
by the pallet (50 cases)**

**10" Bright Steel Spiral: approx.
235 pcs.**

KEEPS GARDEN BEDS CLEAN AND NEAT!

EDGETITE SPIKES #410



EDGETITE FASTENER BENEFITS:

- Angled install strengthens entire system.
- Pins edging to brick and base.
- Helps resist movement from frost heave.
- Exclusive EdgeTite angle tip technology wedges edging tightly against the paver field.

Designed specifically for PAVER EDGING.



10" Angled Tips

160/case

28 lbs

84 cases/pallet

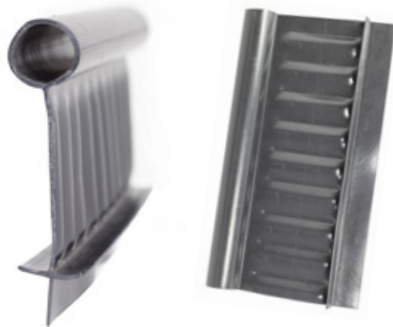
EDGETITE SPIKES #410

GREENLINE LAWN/LANDSCAPE EDGING



PRO-T

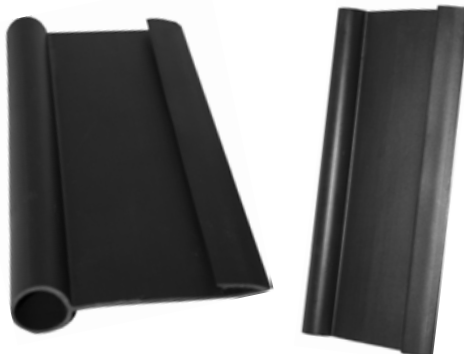
#240



- Corrugated side wall construction
- Rigid yet flexible, will easily follow the contours of your design
- "T"-shaped base resists frost heave
- Convenient, easy-to-handle 8 foot lengths
- 10 strips per bundle (anchoring stakes, straight or corner connectors sold separately)

PRO-V

#260



- Clean lines provide for ease of installation
- "V"-shaped base resists frost heave
- Convenient, easy-to-handle 8 foot lengths
- Economically priced
- 10 strips per bundle (anchoring stakes, straight or corner connectors sold separately)

ACCESSORIES

#261 9" Galvanized Steel Anchoring Stakes

#262 6" Straight Connector

#263 90 Degree Corner Connector

SHIMS + SPIKES + MARKING PAINT

EZ-SHIM™

THE ALL PLASTIC LOAD BEARING SHIM




FEATURES AND BENEFITS:

- LOAD BEARING up to 8,000 psi • WEATHERPROOF
- Easy break off points • Handles big nails and screws
- Injection molded into sheets of ten / 36 sheets per case



LOAD TESTED

Compression (downward force) until deflection. Results measured in psi (avg.)

	HEEL	MID	TOE
EZ-SHIM 	8,029 psi	7,993 psi	7,947 psi
CEDAR 	1,367 psi	1,711 psi	5,370 psi
PINE 	1,848 psi	2,288 psi	4,215 psi



PROFESSIONAL'S CHOICE FOR:

- appliances • bathrooms
- construction
- decks • fountains • glass block
- heavy load applications
- jacuzzis + spas
- landscape architecture
- marine • paving stone systems
- precast concrete & columns
- stone & masonry
- vinyl decking systems

BRICKSTOP INVERTED MARKING PAINT #550

FEATURES AND BENEFITS:

- Ultra bright
- Inverted tip
- Fast dry – non clogging
- Water based – safe on grass and plants
- Lead free – VOC Compliant
- Colors – Fluorescent Orange, Fluorescent Red, Hot Pink, White

#833

33 inch marking gun



#814

14 inch marking gun





**EXTRA
STRENGTH**

**HEAVY DUTY PREMIUM
POLYURETHANE FOR
CONCRETE AND STONE**

Brickstop Brickstik is a one-component premium polyurethane adhesive. Specially formulated to adhere to wet or frozen surfaces. Brickstik is specifically engineered for the Concrete and Paver/Retaining wall industry.

Brickstik is designed to resist water and frost to permanently bond stone, brick, and concrete. Brickstik can be applied in a wide installation temperature span and will not freeze.



FEATURES AND BENEFITS:

- VOC Compliant
- Environmentally sensitive
- Easy gunning – user friendly
- Fast curing – quicker adhesion

SUBSTRATE BOND STRENGTH	24 HOURS	7 DAYS:
Concrete to Concrete	300	350

BEAD SIZE IN INCHES (MM)	LINEAL FEET PER 313 ML	LINEAL FEET PER 858 ML
1/8 (3)	129	353
3/16 (5)	57	156
1/4 (6)	32	87
5/16 (8)	20	54
3/8 (10)	14	38

#1010 10.5 OZ (313ml), 24/CASE

#1028 29 OZ (858ml), 12/CASE

BRICKSTOP ADHESIVES



VERTIGRIP

DESIGNED FOR VERTICAL APPLICATIONS

Vertigrip is a single-component, non-sag, hybrid elastomeric adhesive/sealant that is designed to bond a variety of substrates.

With its high green strength, Vertigrip can be used on virtually any interior or exterior application including subfloor assembly, interior drywall installation, landscaping bricks/blocks, natural stone, mirrors, crown moldings, and PVC molded extrusions.

FEATURES AND BENEFITS

- Extremely strong bonding with excellent adhesion to most substrates
- Low VOC and solvent-free for virtually no odor and no restrictions on application
- Excellent green strength **provides instant grab**
- Elongation of +350%
- Can be applied at low temperature or in adverse weather conditions



#1200

VERTIGRIP

FOAM-A-GRIP



FOAM-A-GRIP



#1400

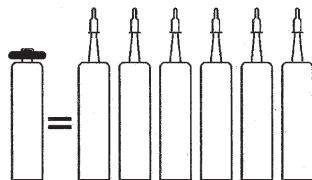
Foam-A-Grip is a high quality adhesive based on modified polyurethane chemistry. It has been developed for use in commercial construction including subfloor assembly, interior drywall installation, SIPS panels, rigid foam insulation, EIFS systems, faux brick/blocks and natural stone. This adhesive has excellent long-term resistance to weathering, water, acids and solvents.

FEATURES AND BENEFITS

- 3 times stronger than typical construction adhesives
- A single 24-ounce can does the job of 6 to 10, 28-ounce tubes of other adhesives, reducing cost and waste
- 20-minute set time
- Aggressive adhesion for general construction and landscaping applications
- Low-temperature application
- Excellent adhesion to a wide range of substrates



#1400G



1 CAN = APPROXIMATELY
6 LARGE TUBES OF 825ML
CONSTRUCTION ADHESIVE
(1/2" BEAD)



DRAINS

UNIVERSAL WALL DRAIN PRO

#WDP03/WDP04

- designed for all 3"-8" block easy installation
- aesthetically pleasing
- reduced labour costs
- height easily modified for use with any size block or timber

#WDP03

- male end snaps into 3" piping

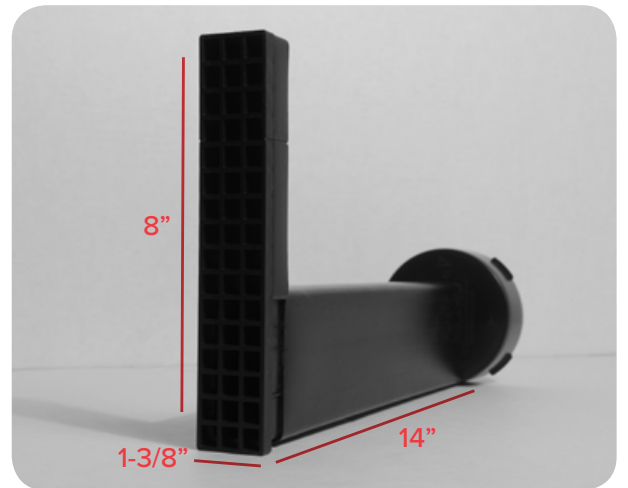
#WDP04

- male end snaps into 4" piping

CHOOSE YOUR COLOUR



grey tan black



47" neck extension available



DRAINAGE KIT #PC100A

This is ideal for below grade driveways.

DRAINAGE KIT INCLUDES:

- 3 drains (39" each)
- 3 stainless steel grates
- 1 solid end cap (#DN75)



REPLACEMENT CLIP #PC100C
(FOR #PC100A)

END CAP FOR
4" PIPE #PC100B

(FOR #PC100A)



SOLID END CAP
#DN75 (FOR #PC100A)



PAVER TOOLS



The products from left to right are:
#504, 502, 505B

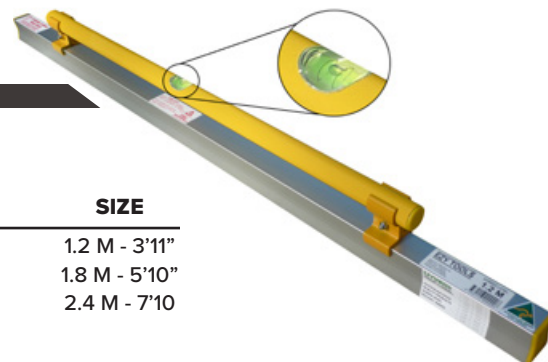
SIMPLEX PAVER EXTRACTOR #502

PAVER-PRY #504

The ideal tool for positioning pavers and checking joints.

LARGE PAVER LIFTER (CARRIER) #505B

For easily grabbing, lifting, and carrying several pavers at the same time.



ITEM #	SIZE
506-4	1.2 M - 3'11"
506-6	1.8 M - 5'10"
506-8	2.4 M - 7'10"

EZYSCREED

- to screed sand or concrete
- two screeds in one with a fully reversible clamp and handle set-up
- bend resistant - made from high tensile aluminum
- handle makes it easier to screed large loads



ADJUSTABLE (FINISHING) ALUMINUM SAND SCREED #507

- adjusts from 3" to 5"
- built-in bubble level
- removable handle for easy transport

ALUMINUM SCREED BAR

Lightweight, hollow. 1" x 4". Lengths: 4', 6', 8'.

#509-4 - 4FT

#509-6 - 6FT

#509-8 - 8FT



ALUMINUM SCREED RAIL #508

Helps set levels. Lightweight. 1" x 8'.



LANDSCAPE/GRADING RAKE

The strongest aluminum rake money can buy! All-aluminum construction – lightweight, 5.5 lbs. (30" 36" 42" 48")

Extra thick tines, up to 50% more material and an extended striking edge to reduce dirt buildup. 66" aluminum alloy handle is powder-coated to eliminate blackened hands. Head connection is secured with a solid aluminum plug for maximum strength. Wrap-around bracing.

LIFTING EQUIPMENT

Our clamps are made by BSV in Denmark. They have been making clamps for 110 years and your operators will fight for the truck that's equipped with the BSV.

All clamps protect the product with rubber contact pads for safe and easy loading and offloading. All clamps are gravity controlled – they open when rested and close when lifted.

We can supply custom clamp solutions if you require a clamp or grab not shown. Many other sizes and configurations are available by special order. Be sure to describe your needs to your salesman as not all clamps are suitable for fork-truck use.

SCISSOR CLAMP #BSV MULTI 760/50Z

The width of this clamp can be adjusted from 15.75" to 42". A maximum safe working load of 3,300 lbs, the scissor clamp is extremely versatile and ideal for heavy-duty multi-purpose use. Pictured with optional fork yoke.



CLAMP #BSV 32/38

For moving the heavier stuff. The 32/38 will safely lift loads from 32" to 38" and up to 4070 lbs. This clamp will perform.



SCISSOR CLAMP MODEL #10-38

A lightweight clamp suitable for lifting curbs and other narrow stones. Lifts from 4" to 15" at a maximum safe working load of 1540 lbs.



PALLET FORK MODEL PG 100 / 2-SSB-SBL SELF-BALANCING

This model has a spring-loaded head so that the fork always remains horizontal, loaded or unloaded. Also available with 'bow' for deliveries on uneven ground.

LIFTING EQUIPMENT



SECTIONS CLAMP #1002

With the versatile lifting range of 9"-42" and a safe working load of 1600 lbs., this clamp is capable of picking up 1-2 sections of pavers at a time. The 1002 is perfect for separating cubes of pavers and handling materials on site. Fork Yoke Attachment available. **Made in Canada.**



JED CLAMP IT / TREAD/CURB CLAMP

J900	4" - 22" max width	900lbs
J2400	8" - 32" max width	2400lbs
J3000	12" - 42" max width	3000lbs

TREADSETTER #600T/1200T

Eliminate finger smashing, back breaking, time consuming and work-related injuries using the new TREADSETTER. The Treadsetter is designed to handle various step treads from 12"-35" in depth – up to 4" in width and with a 6"-8" rise.

This new product is easily adjusted to tread width and balance. The tool has pivot-style urethane ends to reduce slippage and protect the stone, as well as servicing other applications in various weather conditions. Ideal for Rosetta Stone.



TWO SIZE AND WEIGHT CAPACITIES

1200T: 1200 lb Treadsetter, 20"-35" in depth **600T:** 600 lb Treadsetter, 12"-25" in depth

MONTOLIT CURB CLAMP #A016 (R)

Mechanical or hand-lifter. 3.15"-7" 440lb capacity



PAVER CART #2002

Lifts a complete band of pavers at one time. Saves time, money and labour. Less handling reduces chipping and breaking of materials and speeds up installation.

FEATURES:

- large pneumatic turf-profile tires
- solid steel pallet roller
- handle assembly detaches for easy transport
- reinforced cross-braced handles prevent twisting
- foot bar for increased leverage
- can be used for both palletized/unpalletized materials
- Shipping weight: 165 lbs.
- Overall dimensions: 40" x 21" x 69"
- Safe Lifting Load: 600
- Width adjusts from 34"-40"

MONTOLIT BLOCK & PAVER CUTTERS



BLOCK AND PAVER SPLITTER #BK43

Blade cutting length 13"
Cuts from 0" - 4.33"
Weight 62 lbs.



PAVER CUTTER #6L

Designed and constructed specifically for splitting pavers. This lightweight paving stone cutter easily transports.

The 6L is quick, efficient and will cut up to 3.9" paving stone.

Cutting width: 12.2"
Cutting height: 0"-3.9"
Weight: 66 lbs.



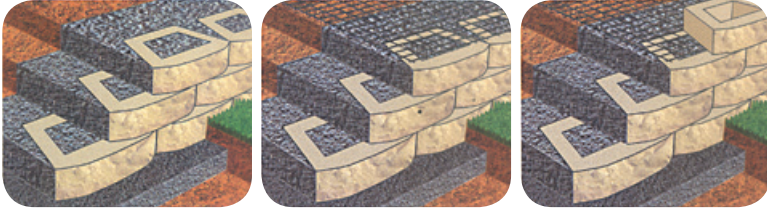
HYDRAULIC BLOCK/WALL CUTTER #3ST

The big one! For the contractor who has special needs. Ideal for flagstone and retaining walls. The 3ST will cut any block, paving tile, slab or similar material made from concrete, stone, or granite.



Cutting width: 24"
Cutting height: 3.35"-9.25"
Weight: 242 lbs.
Pressure Capacity: 25 tons

GEOGRID & TARP



GEOGRID RETAINING WALL SYSTEM

- **BG100** 4' X 50' DEALER DISPLAY, 22 SQ.YDS
- **BG150** 6' X 150', 100 SQ.YDS.
- **BG200** 6' X 300', 200 SQ.YDS.
- **BG350** 6' X 300', 200 SQ.YDS.
- **OTHER SIZES AVAILABLE UPON REQUEST**

12 rolls/case, unidirectional

Geogrid provides advanced options for dealing with common civil engineering problems and difficult soils. The highest quality for retaining walls, reinforced steep slopes and embankments over soft soils.

Geogrid is constructed of high molecular weight and high tenacity polyester yarns utilizing a complex knitting process and low temperature coating technology to provide superior engineering properties. UV stabilized coating provides further chemical and mechanical benefits.

GEOGRID BY BRICKSTOP IS USED FOR:

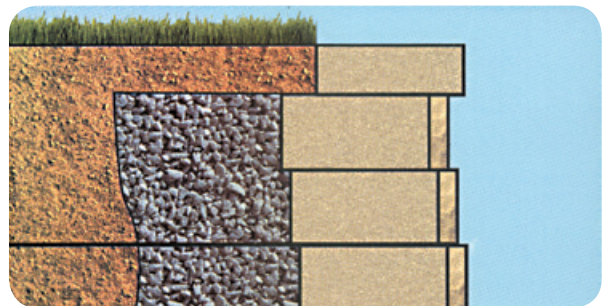
- Retaining Walls
- Timber Walls
- Step Slopes
- Landscape Repair
- Paver Reinforcement



SPECS

Biaxial **LTDS:**
MD 822 lbs/ft

CMD: 882 lbs/ft
Recommended for
wall heights up to 6'



ALL-SEASON CONSTRUCTION QUALITY, MULTI-PURPOSE TARPS

- 8x8 weave
- 4 spare ropes
- double reinforced corners
- waterproof + rot-proof
- rope reinforced hems
- grommets every 3 ft
- 90 grams/sq meter



- **#701** 6FT X 8FT
- **#702** 8FT X 10FT
- **#703** 9FT X 12FT

- **#704** 10FT X 15FT
- **#705** 12FT X 18FT
- **#706** 15FT X 20FT

- **#707** 18FT X 24FT
- **#708** 20FT X 30FT
- **#709** 24FT X 40FT

- **#710** 30FT X 50 FT
- **#711** 40FT X 60FT



PAVER MALLET
#602-6

13" Handle - 2³/₈" Head
3.5lbs.

This mallet is made of cast iron and has replaceable inserts. It's perfect for large wall projects. Comes with a life-time warranty.

- INSERTS INCLUDED:**
1. Black Composite Rubber/medium hard
 2. Red Plastic/hard



WALL MALLET
#602-8

19" Handle - 3¹/₈" Head
6.6 lbs.

Ideal for retaining wall cap stones. Comes with a life-time warranty.

- INSERTS INCLUDED:**
1. Black Composite Rubber/medium hard
 2. White Nylon/hard



BP PAVER MALLET
#696-8

9.5" Handle - 2" Head
3.2 lbs.

This is a soft-face mallet. It is designed with two different inserts of varied hardness. This is a great mallet to use for small adjustments without damaging your products. Comes with a life-time warranty.

- INSERTS INCLUDED:**
1. White Nylon/hard
 2. Red Plastic/hard



DEAD BLOW (40MM) #636-4 14" Handle - 4" Head, 1.6 lbs.

DEAD BLOW (70MM) #636-7 14¹/₂" Handle - 4¹/₂" Head, 5 lbs.

This dead-blow mallet has a steel head with replaceable nylon inserts. A sealed container, within the insert, is filled with a steel shot for a rebound-free strike. Comes with a life-time warranty.

- INSERTS INCLUDED:**
1. White Nylon / hard



SLEDGE MALLET #602-7

31" Handle - 3¹/₈" Head
7.4 lbs.

This sledge mallet is the perfect tool for damage-free, major adjustments. Comes with a life-time warranty.

- INSERTS INCLUDED:**
1. Black Composite Rubber / medium hard
 2. White Superplastic/medium hard

REPLACEMENT INSERTS



WHITE NYLON

- For item #602-8 use insert **#620-88**
- For item #636-4 use insert **#650-84**
- For item #636-7 use insert **#650-87**
- For item #696-8 use insert **#698-85**



RED PLASTIC

- For item #602-6 use insert **#620-66**
- For item #696-8 use insert **#696-65**



WHITE SUPERPLASTIC

- For item #602-7 use insert **#620-78**



BLACK COMPOSITE RUBBER

- For item #602-6 use insert **#620-26**
- For item #602-7 use insert **#620-28**
- For item #602-8 use insert **#620-28**

HAND TOOLS



THE PRONTO #608

3.25 lbs, sold individually.



RUBBER MALLET #603

32 oz, Case of 24



MASON HAMMER #607

24 oz. with fiberglass handle, case of 6



DEAD BLOW #605

4 lbs, case of 12



CLUB HAMMER #602

2.5 lbs. with fiberglass handle, case of 6



GUMMY MALLET #601

32 oz, made in Italy



TORPEDO LEVELS #612

12", display box of 6.



3" CHISEL #613

4" CHISEL #614

Brick bolster, case of 25.

PAVER PERSUADER

#503

New galvanized steel 36" handle
8 lbs..



CAULKING GUN # 413

9" - 24/case
13" - 12/case



CAULKING GUN #419





CANADIAN MADE, INDUSTRIAL QUALITY BROOMS

Stiff bristle, heavy sweep exterior use.



18" heavy duty broom **#801**
24" heavy duty broom **#802**



BRICK WASHING BRUSH **#806**

6" x 2.5". Natural fiber for cleaning brick, stone, etc. Case pack of 12.



SQUEEGEE + POLE **#805**

Case pack of 12.



DRIVEWAY APPLICATOR + POLE **#804**

Case pack of 12.



ECONOMY KNIT WITH COATED PALM **#LC2009**

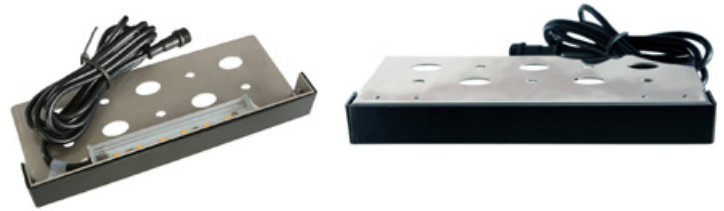
Form knitted shell with latex coating offers an excellent grip. Flexible, comfortable and durable. Sold by the dozen pair.

One size fits all.

RETAINING WALL LIGHTS

#EZWL2 (BLACK)

Voltage: 12V AC/DC • Beam Degree: 120°
 IP Rating: 67 • Housing: Stainless Steel
 Dimensions: L6-7/8" x W3-3/4" x H1/2"
 Wattage: 2W • Color Temperature: Warm White – 2700K
 Lumen Output: 180 Lumens • Number of LEDs: 6 SMD
 Wiring: Plug and Play



#EZWL845 (BROWN)

#EZWL836 (GREY)

Length: 6.9" • Wattage: 1.8W
 Color Temperature: 3200K
 Wiring: Hardwire



#EZWL855 (BROWN)

#EZWL826 (GREY)

Length: 13.2" • Wattage: 3.6W
 Color Temperature: 3200K (Grey – 2700K)
 Wiring: Hardwire



RECESSED LIGHTS

Voltage: 12V AC/DC
 Lens: Frosted
 IP Rating: 67
 Wattage: 0.4W
 Color Temperature:
 Warm White – 2700K
 Lumen Output: 44 Lumens
 Number of LEDs:
 2 Power LEDs
 Dimensions:
 Pigtail Length: 11.75"
 Mounting Hole Dia. 1.25"
 Width of Bezel:
 Small Round Trim: 1.5"
 Plastic Square Trim: 1.5"
 Scoop Round Trim: 1.5"
 Big Round Trim: 2.75"
 Wiring: Plug and Play



#EZDLR12-NKL



#EZDLR12-BLK



#EZDLB12-NKL



#EZDLB12-BLK



#EZSC12-NKL



#EZSC12-BLK



#EZDLS12-NKL



#EZDLS12-BLK

LED GARDEN UPLIGHT INCLUDING STAKE – 6W

- Applications: Architectural, Landscape, Accent, Signage
- Innovative solid state COB LED technology
- Replaces halogen
- Simple to install
- Low power consumption

Voltage: 12V AC/DC
 IP Rating: 67
 Dimensions:
 3.54 x 2.36" / 60 x 90 mm
 Wattage: 6W
 Color Temp: Warm White
 Raw Lumen Output: 480
 Beam Degree: 45°

#EZUL6



THE 'BIG MAX' LED RETAINING WALL LIGHT



The only curved LED retaining wall light on the market capable of projecting a high output 120 degree swath of light at an unparalleled energy efficient performance of 1.9 watts per unit. This means you use fewer fixtures and consume less power.

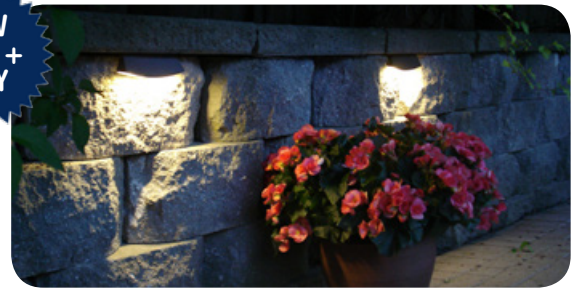
As with all our outdoor lighting, these units are completely waterproof and housed in sturdily built robust die cast aluminum fixtures that are corrosion-resistant and come with a 30-year powder-coating warranty. The LEDs are protected by an extremely strong polycarbonate UV stable lens guaranteed not to yellow with time or environment. The light has a 6' all-weather electrical pigtail which allows for easy installation and wire termination.

Achieve entirely different looks by pointing the light downwards for walkways or shrubbery, or straight into the air for lighting the side of a house.



Die Cast Aluminum • Polycarbonate Lens
 • 1.9 watts @ 12 volt DC. • **Light output:** 250 lumens
Pigtail length: 6' • **Radiance angle light disbursement:** 120°
Light Dimensions: Width: 6.7" Height: 1.9" Depth: 1.0"

**NOW
 PLUG +
 PLAY**



** please see page 25 for warranty policy*



THE 'MINI MAX' LED RETAINING WALL LIGHT

1 piece design for easy installation. Mini and powerful!

Die Cast Aluminum • Polycarbonate Lens • 1.9 watts @ 12 volt DC.
Kelvin temperature: 3200 degrees • **Pigtail length:** 6'
Light Dimensions: Width: 4.5" Height: 1.5" Depth: 1.0"

**MADE IN
 USA**



ALL DEKOR LIGHTS FEATURE "WARM WHITE" COLOUR TEMPERATURE/SPECTRUM

** please see page 25 for warranty policy*

PUCK LIGHT



Use as a pathway light in mulch, flowerbeds, rock gardens, etc. Highlight shrubs and light small trees from the ground up. Waterproof design allows for direct placement on ground surface. Made of powder-coated cast aluminum.

Light Dimensions: 2.9" diameter x 1" H • **Power efficiency:** 1.32 watts
Lumen output: 560 lumens • **Kelvin temperature:** 3200°
Life expectancy: > 60,000 hours • **IP rating:** 66
Regulatory compliance: ETL (US and Canada), RoHS • powder coating finish

BIGMAXBLOCKLIGHTKIT (xx) - 3 x Big Max LED lights, 36 watt transformer, Photocell timer, 6 waterproof Gel Nuts

BIGMAXBLOCKLIGHT (xx) - Big Max Retaining wall LED Light

BIGMAXBLOCKLIGHTKIT60 (xx) - 3 x Big Max LED lights, 60 watt transformer, Photocell timer, 6 waterproof Gel Nuts

MINIMAXBLOCKLIGHT - Mini Max LED Retaining Wall Light



RECESSED LED PAVER / DEK DOTS

“LIGHT THE NIGHT” - Introducing PAVER DOTS & DEK DOTS, the smallest, brightest and easiest LED paver light to install you will ever come across.

Waterproof and totally submersible, PAVER DOTS are suitable for ponds, docks, stairs, steps, driveways, walkways, and more. Use in fountains, around hot tubs and water features or as marine lights.

PAVER DOT SPECS

Housing diameter: 1"
Housing height: 5/8"
Mounting hole diameter: 1"
Draws: 1.2 watts
Housing material: Polycarbonate
Length of wire pigtail: 5'

1" Masonry drill bit required for installation of paver dots in stone tiles

PAVER DOTS & DEK DOTS differ from other LED recessed in that they have transparent polycarbonate covers that are nearly indestructible. They install totally flush with the surface, making them virtually unseen – and “unfelt” underfoot.

DEK DOT SPECS

Housing diameter: 0.91"
Housing height: 5/8"
Mounting hole diameter: 0.9"
Draws: 1.2 watts
Housing material: Polycarbonate
Length of wire pigtail: 6'

24 watt (indoor) transformer powers up to 18 dots
36 watt transformer powers up to 28 dots
60 watt transformer powers up to 48 dots



AVAILABLE IN 8 PACK KITS OR 4 PACK (LIGHTS ONLY)

FEATURES OF OUR INNOVATIVE LED LIGHT TECHNOLOGY

- 10 Year Warranty • 100,000 hour rated LEDs
- (34 years of 8 hours a day, year round use)
- Warm white LEDs with the ambience of incandescent lighting -- 3200 Kelvin
- Green, energy efficient • Dimmable, expandable
- Waterproof, weatherproof and salt air resistant

DEKDOTKITOUT - 8 Deck Dot LED Lights, 36 watt transformer, Photocell timer, 2 x 6 port splitters, connector cables 23mm Forstner drill bit (7/8 Diameter, for Wood Composite wood, etc)

DEKDOT4 - 4 x LED Dots with plug and play splitter

PAVERDOTKITOUT - 8 Paver Dot LED Lights, 36 watt transformer, Photocell timer, 2 x 6 port splitters, connector cables, 1" masonry drill bit not included (1" Diameter for Pavers)

PAVERDOT4 - 4 x 1" Paver Dots with plug and play splitter

PAVERDKITOUT (Concrete Dots) - 8 Concrete LED Dots in Sleeves, 36 watt transformer, Photocell timer, 2 x 6 port splitters, w 5 ft wires (1" Diameter with 3" Conduit Sleeve attachment for Concrete)

PAVERD410 (Concrete Dots) - 4 x 1" Concrete LED Dots with Conduit Sleeve with 10 foot wires

RECESSED DOWN + STAIR LIGHTS

Small yet powerful low-voltage LED lights offer function and style. Perfect for landscape lighting, decks, docks, steps, patios, and gardens. Embed them in concrete walkways or steps, or to safely light stairs and under rails. Compact enough to fit just about anywhere. 40% brighter than ever and featuring an LED technology designed to last for decades.

SPECS

Width of bezel: 1-1/4"
Mounting hole diameter: 0.900"
Mounting hold depth: 1"
Length of wire pigtail: 5'
Wattage: 1.2

24 watt (indoor) transformer powers up to 18 lights
36 watt transformer powers up to 28 lights
60 watt transformer powers up to 48 lights



- No bulbs to change ever • Cool to the touch
- Adds safety and security to your home
- Easy to install, virtually flush with surface, hardly visible
- Available in **PLUG 'N PLAY** format

8 PACKS INCLUDE:

- Plug N Play 5' cables
- 6 port plug n play splitters
- 20' transformer to splitter connector



RDLKITOUT(xx) - 8 Recessed Down light LED, 7/8 diameter, 36 watt transformer, Photocell timer, 2 x 6 port splitters, connector cables, Forstner Drill Bit

RDL4(xx) - 4 x Recessed Down Lights LED with plug and play splitter

RSLKITOUT(xx) - 8 x Recessed Stair Light LED, 7/8 diameter, 36 watt transformer, Photocell timer, 2 x 6 port splitters, connector cables, Forstner Drill Bit

RSL4(xx) - 4 x Recessed Stair Light LED with plug and play splitter

RDLKIT(xx) Indoor - 8 x Recessed Down light LED, 7/8 diameter, 24 watt transformer, 2 x 6 port splitters, connector cables, Forstner Drill Bit

RSLKITIN(xx) Indoor - 8 x Recessed Stair Light LED, 7/8 diameter, 24 watt transformer, 2 x 6 port splitters, connector cables, Forstner Drill Bit

* please see page 25 for warranty policy

TRANSFORMERS & LED CONTROLLERS



36-WATT OUTDOOR DRIVER PLUG + PLAY EZD36

LED EZE

Constant voltage LED Power Supply to be used for low voltage outdoor LED Light Systems. • Class 2 listed • cULus listed
• 3 prong plug
Input: 100-240V AC • Output: 12V DC
Input cord 1.8M • Wattage: 36W

60-WATT OUTDOOR DRIVER PLUG + PLAY EZD60

LED EZE

Constant voltage LED Power Supply to be used for low voltage outdoor LED Light Systems. • Class 2 listed • cULus listed • 3 prong plug
Input: 100-240V AC Output: 12V DC Input cord: 1.8M Wattage: 60W



MAGNETIC TRANSFORMER – HARDWIRE EZMT60

LED EZE

with Photocell Timer 60W

MAGNETIC TRANSFORMER – HARDWIRE EZMT100

LED EZE

with Photocell Timer 100W



WOOD'S PHOTOCELL TIMER - #EZPT1

LED EZE

24-hour outdoor lighting timer by Wood's, used to automate landscape, security and holiday lighting. Turns on at dusk for 2, 4, 6 or 8 hours, or until dawn.

125Vac 60Hz
Tungsten: 8A/1,000W
General Purpose: 10A/1,250W
Resistive: 10A/1,250W
Electronic Ballast: 500 VA
Ballast: 120Vac 60Hz 8.3A
Cable length: 15cm

EZ 36 WATT 12V LED POWER SUPPLY

DEKOR



Indoor or outdoor use • waterproof (IP66) and impervious to the elements • our “workhorse” - suitable for most project's power needs • 3 year warranty when used with Dekor products • designed to be used with DEKOR's remote dimmer or remote switch, or both • 2.5 amp • UL, CSUL, CE, RoHS, ETL.



EZ MAX 60 WATT 12V LED POWER SUPPLY

DEKOR

indoor or outdoor use • waterproof (IP66) and impervious to the elements • offers more power for larger projects or substantial wire runs • 3 year warranty when used with Dekor products • designed to be used with DEKOR's remote dimmer or remote switch • 5 amp • UL, CSUL, CE, RoHS, ETL.

TRANSFORMERS & LED CONTROLLERS



EZ MAX C 100 WATT 12V LED TRANSFORMER



contractor-grade waterproof LED transformer, LED power driver • for indoor or outdoor hard wire applications • simple installation • designed to be used with DEKOR's remote dimer or remote switch, or both • 8.3 amp • 3 year warranty when used with Dekor products • CE, RoHS



EZ DIMMER WATERPROOF LED DIMMER & REMOTE



waterproof housing and input/output connectors for outdoor use • adjust light intensity from base unit or using remote • full control of light intensity • 70 foot range with remote control • teachable base unit in case of remote loss • higher input current can be used with any DEKOR transformer • on/off switch at base + at remote • UL, CSUL, CE, RoHS • 1 year warranty

ALL TRANSFORMERS FEATURE PLUG & PLAY CONNECTIONS

LIGHTING ACCESSORIES



LOW VOLTAGE WIRE

Our 18 gauge, outdoor-rated, UL-approved wire is recommend for use with our illuminated systems. Thicker 16 gauge wire recommended for runs of over 100 ft. Both sold in 100 ft spools.



EZ ENCLOSURE

housing for transformers, timers, etc. • keep electrical components dry and clean up your installation • designed for outdoor use • watertight design



CUSTOM FORSTNER BIT

This bit is custom ground to the specific diameter of .900/23mm to allow a snug fit for our balusters, end caps, recessed lights, DEK dots and petite directional lights.



OUTDOOR GEL-FILLED WIRE NUTS

UL approved • packaged in quantities of 10

WARRANTY POLICY: PLEASE NOTE

Using a Dekor LED transformer allows us to provide you with our industry leading warranty on our LED lights. DEKOR lights are designed to be used with DEKOR LED transformers and when another transformer is used in its place, this voids the LED warranty in its entirety.



**BRICKSTOP PAVER EDGINGS
HAVE BEEN SPECIFIED AND
INSTALLED IN MANY PRESTIGIOUS
LOCATIONS, INCLUDING:**

The Korean War Memorial
Riverbanks Zoo, Columbia, SC
Wyeth-Ayerst Pharmaceuticals
City of Stockton, CA
University of Toronto
The Aquarium of Bermuda
University of California, Davis Campus
American General Insurance
Stanford University
Paramount Canada's Wonderland
Gillette Stadium, Foxboro, MA
HQ: Make a Wish Foundation of N. TX
Top-of-the-World-Way, Greenbrook, NJ
The Official Residence of the archbishop of the Czech Republic
Essex County 911 Memorial, Eagle Rock Reservation, NJ

...and thousands more.

WWW.BRICKSTOPEDGE.COM